

Loadmaster



Bridging the gap between standard shelving and pallet racks

Rapid Rack's Loadmaster Series is designed for the hand loading of intermediate weight items. This versatile rack system can be used for hundreds of storage applications. In addition to storing cartoned merchandise in shipping and receiving departments, it can be used to display furniture and department store products, as well as for storage of medical and dietary supplies in hospitals. The Loadmaster Series bridges the storage gap between standard shelving and pallet rack, and is ideal for a wide range of manually loaded applications.

Loadmaster racks by Rapid Rack are stronger and have greater load capacity than bolt-together units.

Loadmaster racks are available in a number of upright and load beam sizes, perfect for supply or mail rooms, garages and other small storage areas.

Excellent for storing moderate weight packages, boxes and bulky parts. Loadmaster racks are made of sturdy, high quality materials which have made the name Loadmaster synonymous with excellence in the material handling industry.

Loadmaster offers greater load capacities than conventional shelving because of their fully-welded one-piece construction of all uprights and load beams.

The wider loading areas, greater load visibility and load accessibility from either the front or back of the racks provides optimum shelving utility for available storage space.

Easy installation puts the Loadmaster just minutes away from use upon delivery. Wire, plywood and particle board shelving panels are available for varying load requirements.

For special purpose types of storage, the Rapid Rack engineering department will evaluate your usage and space requirements and recommend an optimum storage system to meet your needs.

Colors available

-  — Gray
-  — Tan
-  — Putty
-  — Black

Loadmaster



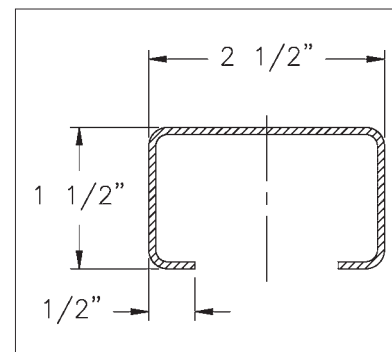
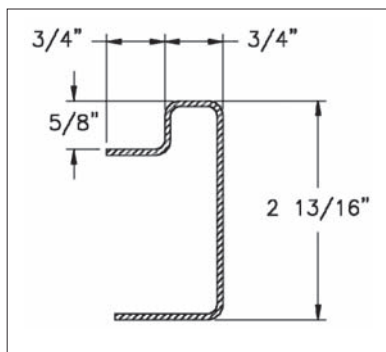
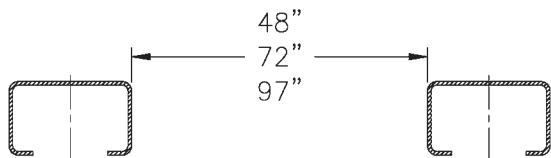
Capacity Chart

Beam size	Particle Board or Wire deck
97"	1500 lb using 4 tie supports
72"	1500 lb using 3 tie supports
48"	1500lb using 2 tie supports

Above criteria is based on an allowable beam deflection criteria of L / 180

Item	Item type	Weight	Item	Item type	Weight
PBS-48	48" Beam	6.93	P-2472L	24 x 72 Upright	25.09
PBS-72	72" Beam	9.99	P-3672L	36 x 72 Upright	27.54
PBS-97	97" Beam	13.18	P-4272L	42 x 72 Upright	28.82
PB47.522.19L	24" x 48" x 5/8" Particle Board	16.1	P-4872L	48 x 72 Upright	30.17
PB47.534.19L	36" x 48" x 5/8" Particle Board	24.81	P-2496L	24 x 96 Upright	33.72
PB47.540.19L	42" x 48" x 5/8" Particle Board	29.17	P-3696L	36 x 96 Upright	36.52
PB47.546.19L	48 x 48 x 5/8 Particle Board	33.52	P-4296L	42 x 96 Upright	38.04
PB71.522.19L	24 x 72 x 5/8 Particle Board	24.24	P-4896L	48 x 96 Upright	39.68
PB71.534.19L	36 x 72 x 5/8 Particle Board	24.24	P-24120L	24 x120 Upright	41.16
PB71.540.19L	42 x 72 x 5/8 Particle Board	43.9	P-36120L	36 x120 Upright	44.84
PB71.546.19L	48 x 72 x 5/8 Particle Board	50.46	P-42120L	42 x120 Upright	46.53
PB9622.19L	24 x 96 x 5/8 Particle Board	32.55	P-48120L	48 x120 Upright	48.52
PB9634.19L	36 x 96 x 5/8 Particle Board	50.15	WD-2436L	Wire Decking	12
PB9640.19L	42 x 96 x 5/8 Particle Board	58.95	WD-3636L	Wire Decking	18
PB9646.19L	48 x 96 x 5/8 Particle Board	67.75	WD-4236	Wire Decking	21
TSFB24L	24" Tie Support	1.97	WD-4836L	Wire Decking	24
TSFB36L	36" Tie Support	2.91	WD-2448L	Wire Decking	16
TSFB42L	42" Tie Support	3.38	WD-3648L	Wire Decking	28
TSFB48L	48" Tie Support	3.85	WD-4248	Wire Decking	28
			WD-4848	Wire Decking	32

Post CL to CL = Beam Length + 2"



800-736-7225 ■ 626-333-7225